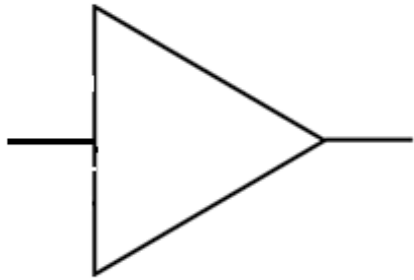


How The Pixie Transceiver Works

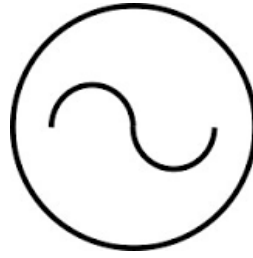


... in 18 minutes or less.

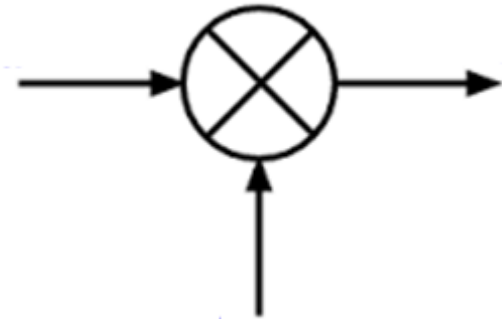
Radio Building Blocks



Amplifier

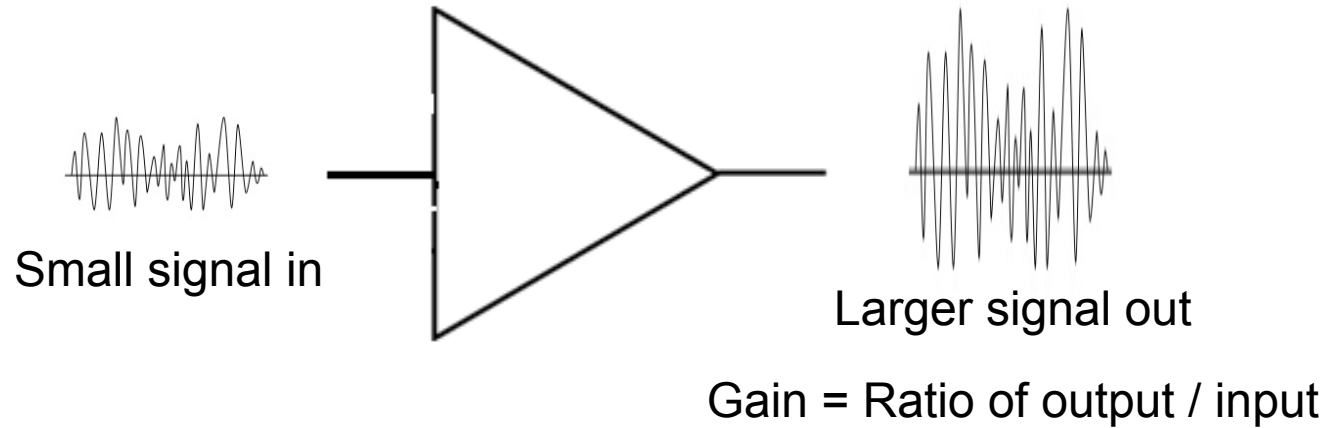


Oscillator



Mixer

Amplifiers



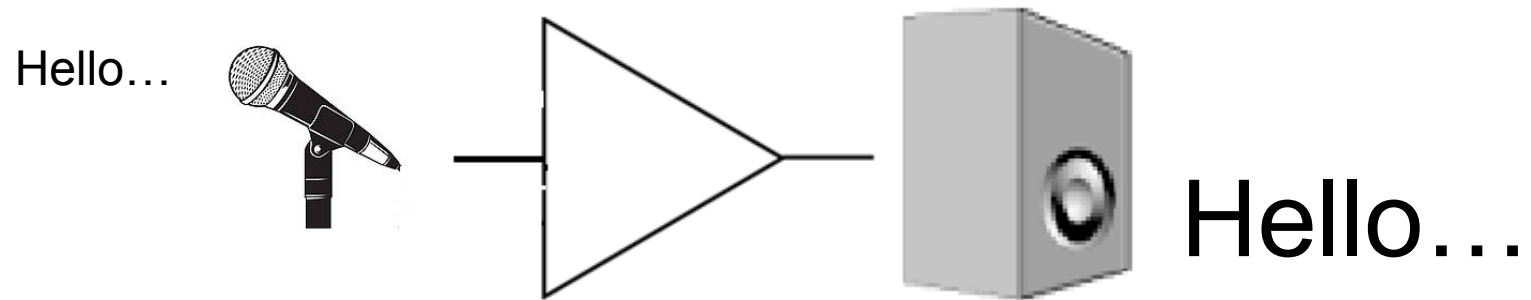
Types

- Audio, RF

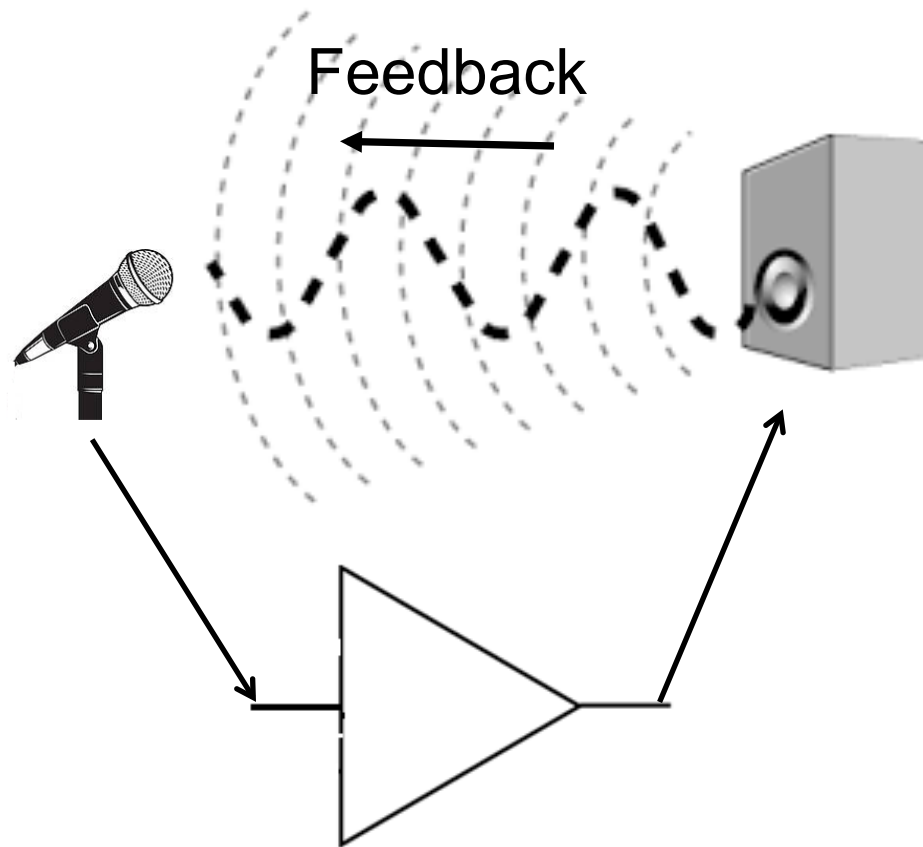
Function

- Power, Signal (voltage)

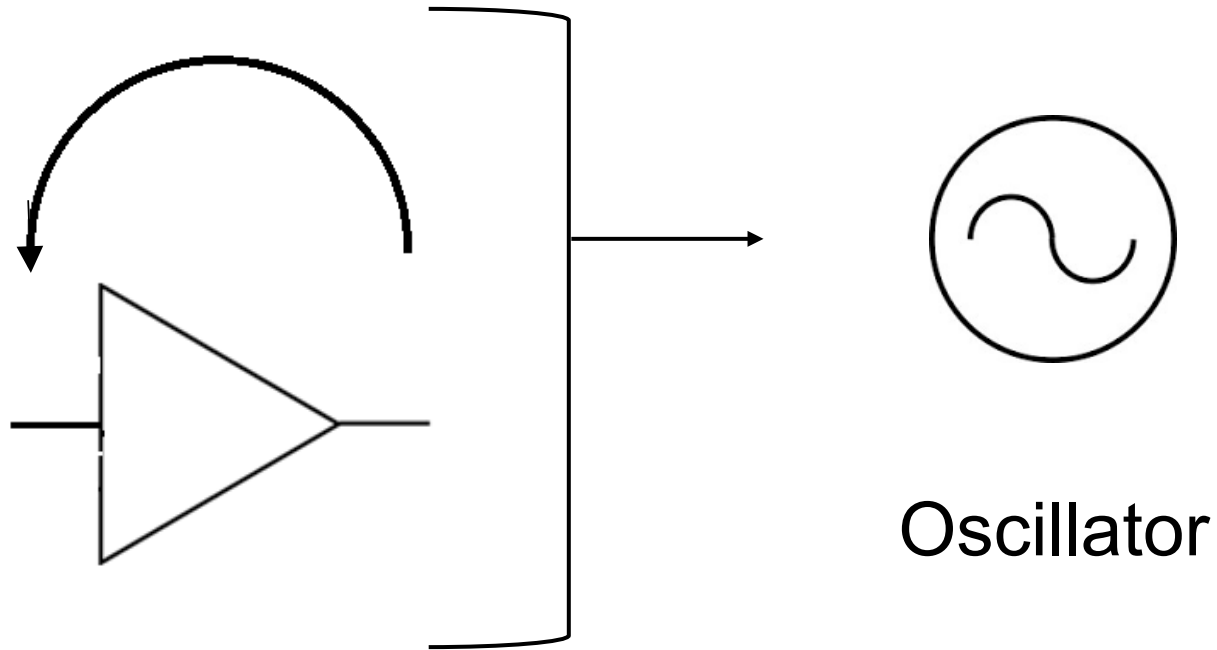
An Audio Power Amplifier



An Audio Power Amplifier

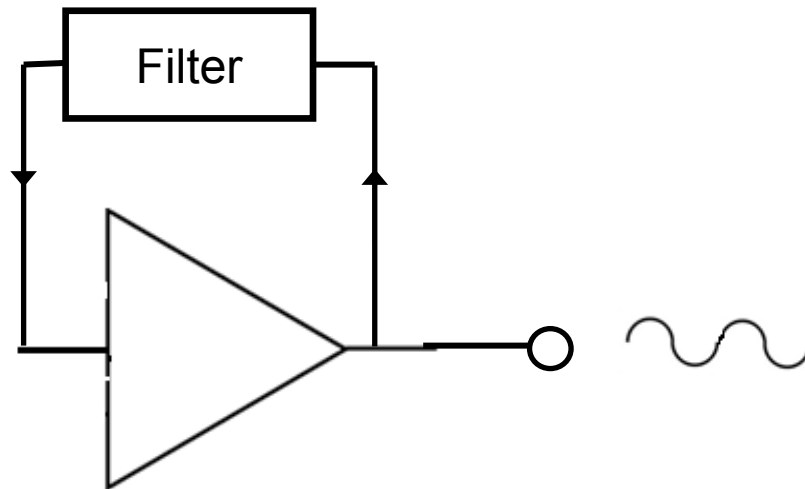


How to Make an Oscillator



An amplifier with sufficient gain and positive feedback becomes an oscillator.

Oscillator Frequency Control



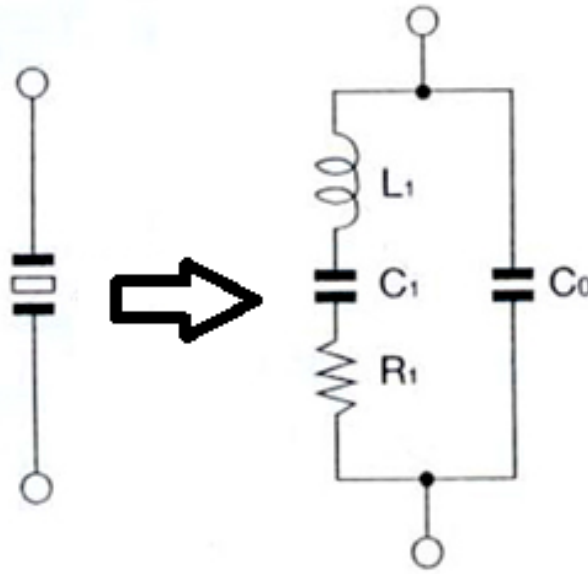
The filter elements can be fixed or adjustable.

A quartz crystal is ideal as a fixed element.

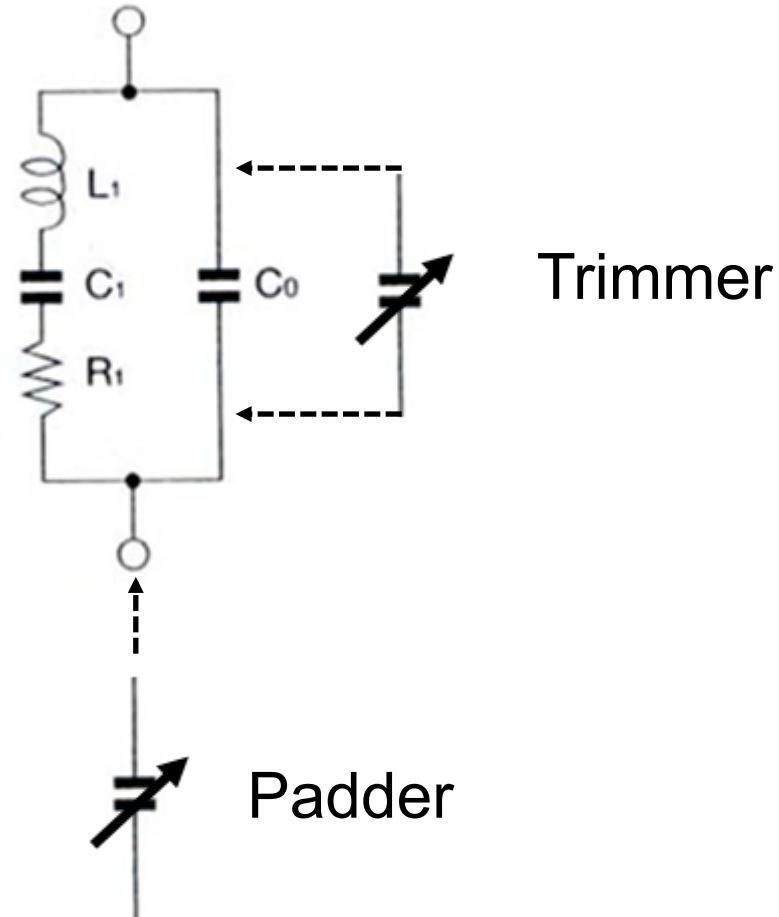
- Good frequency stability
- Low component count
- Relatively inexpensive



Quartz Crystal Equivalent Circuit

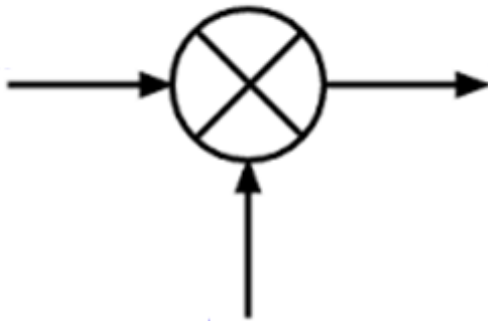


“Rubbering” a Crystal



Mixers

This



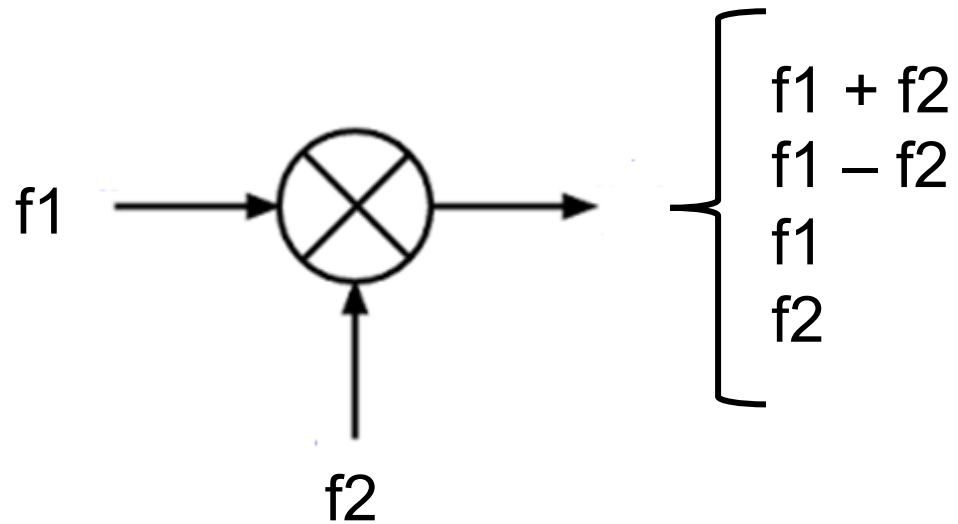
“Frequency Mixer”
“Heterodyne Mixer”
Very non-linear
(Extreme distortion)

Not This



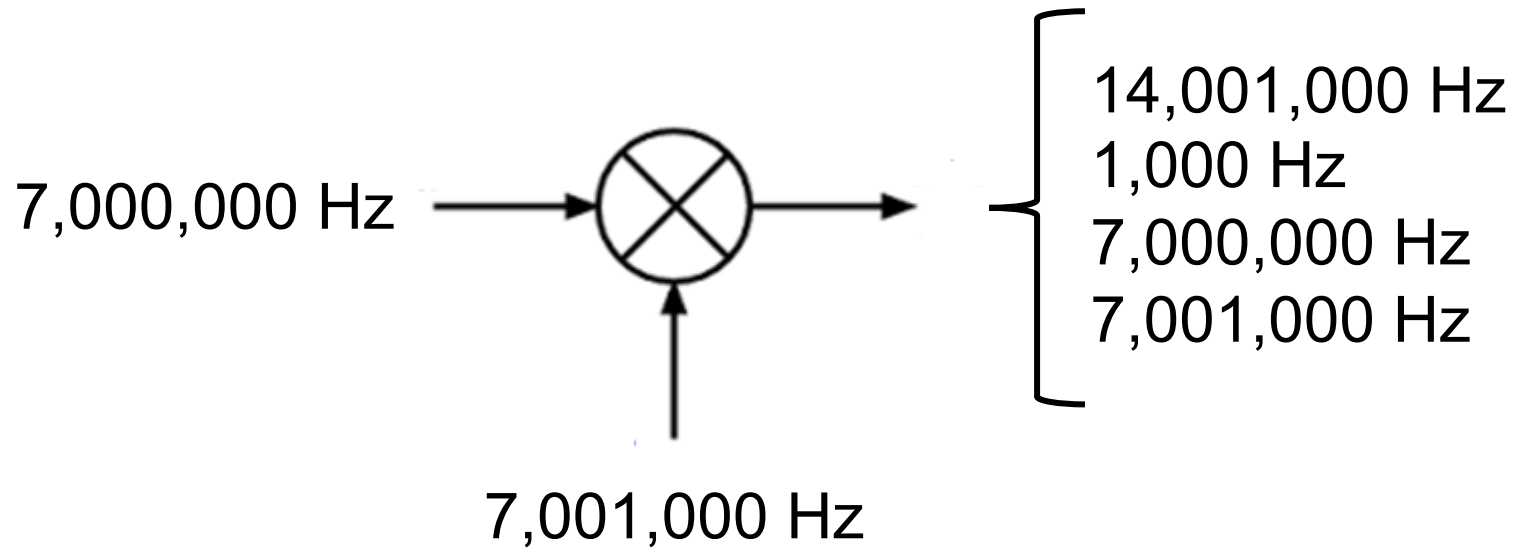
Audio Mixer
Very linear
(Very low distortion)

Mixer Operation



“The Sum, the Difference, and the Two Originals”

Mixing Example

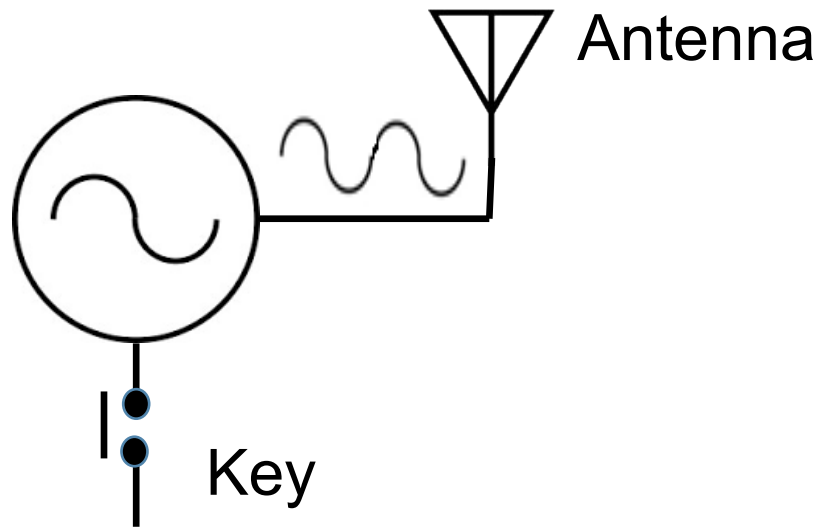


“The Sum, the Difference, and the Two Originals”

With those building blocks...

Let's make radios.

A Simple CW Transmitter

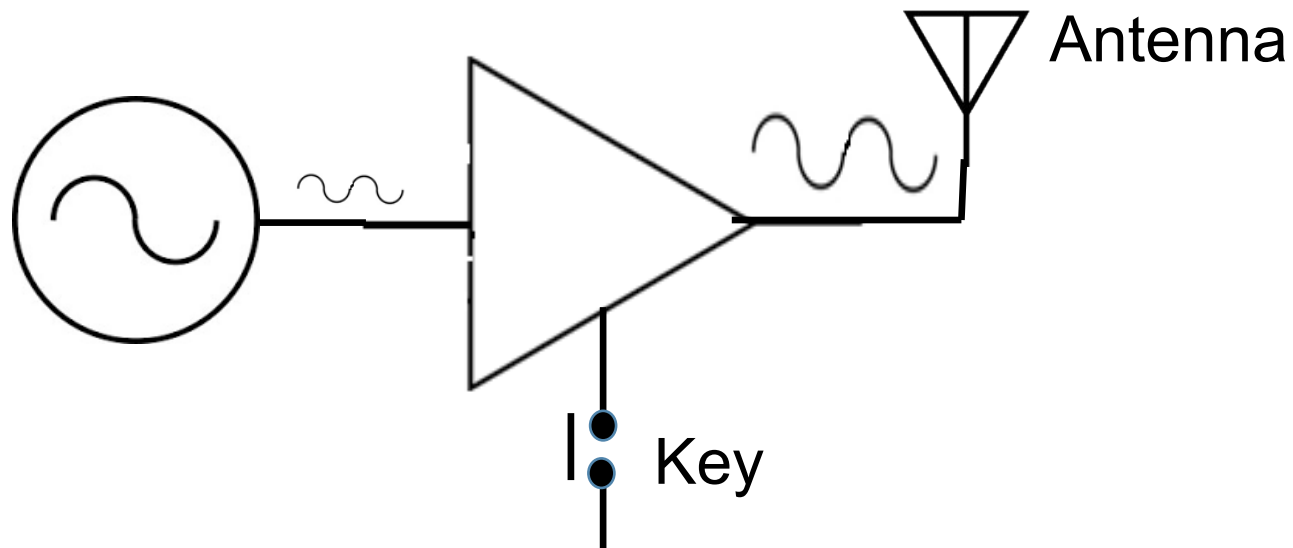


Drawbacks:

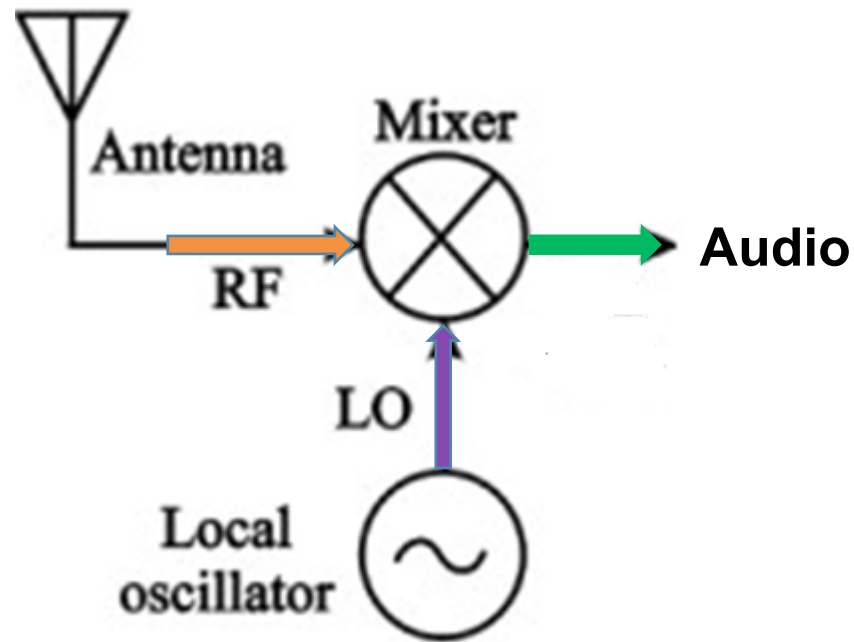
- Component heating can cause drift
- Antenna changes can pull frequency
- Prone to Chirp

A Better CW Transmitter - MOPA

Master Oscillator Power Amplifier

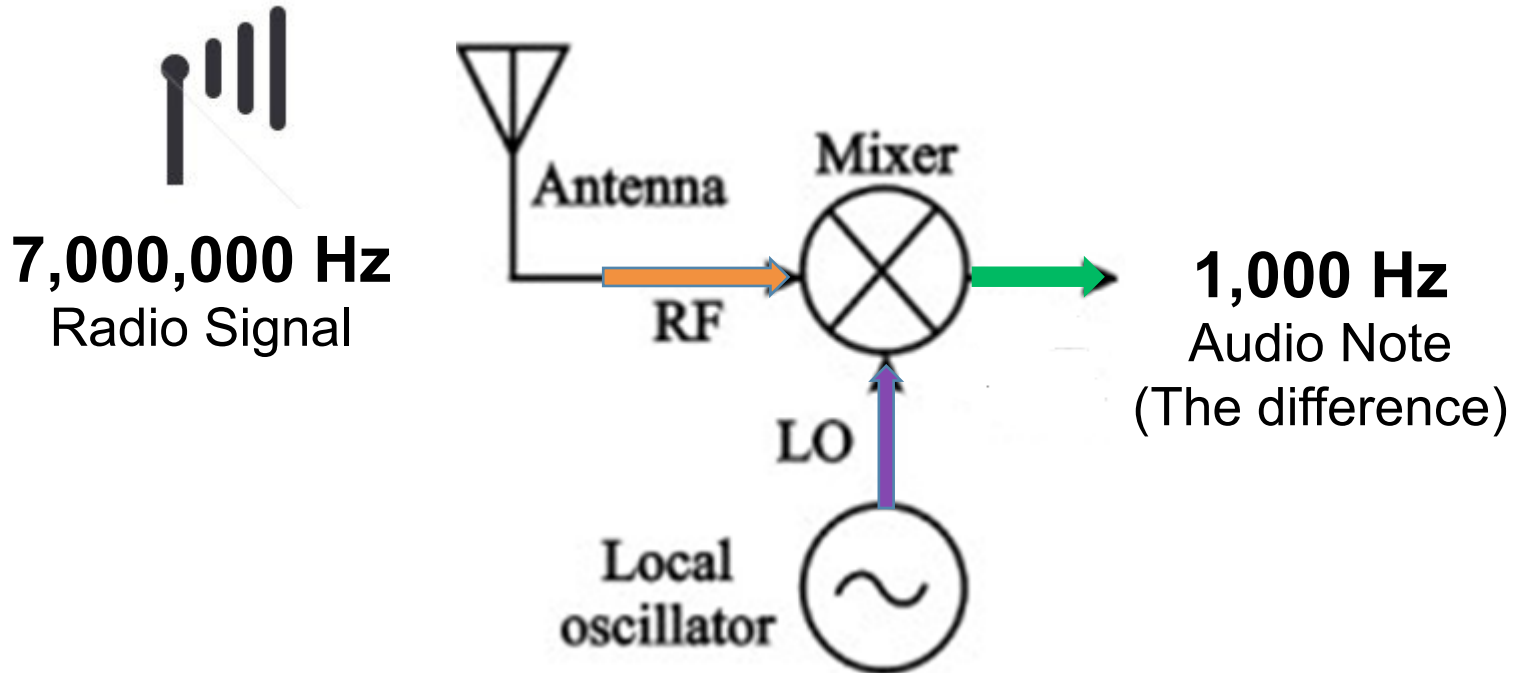


A Simple Radio Receiver



This is known as a **Direct Conversion Receiver**

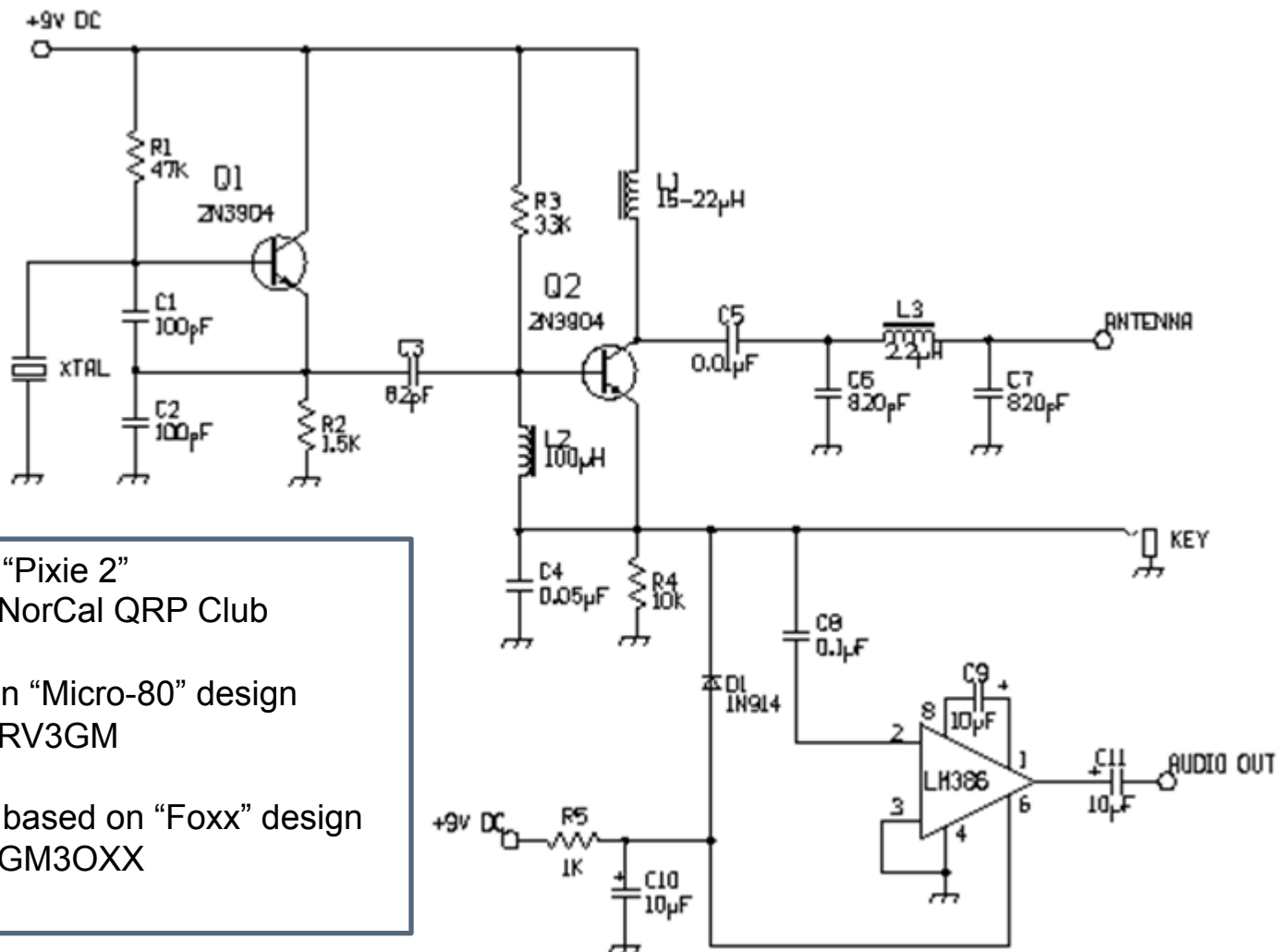
Direct Conversion Receiver Operation



7,001,000 Hz
Oscillator Frequency

Now... On to the Pixie

The Pixie Transceiver

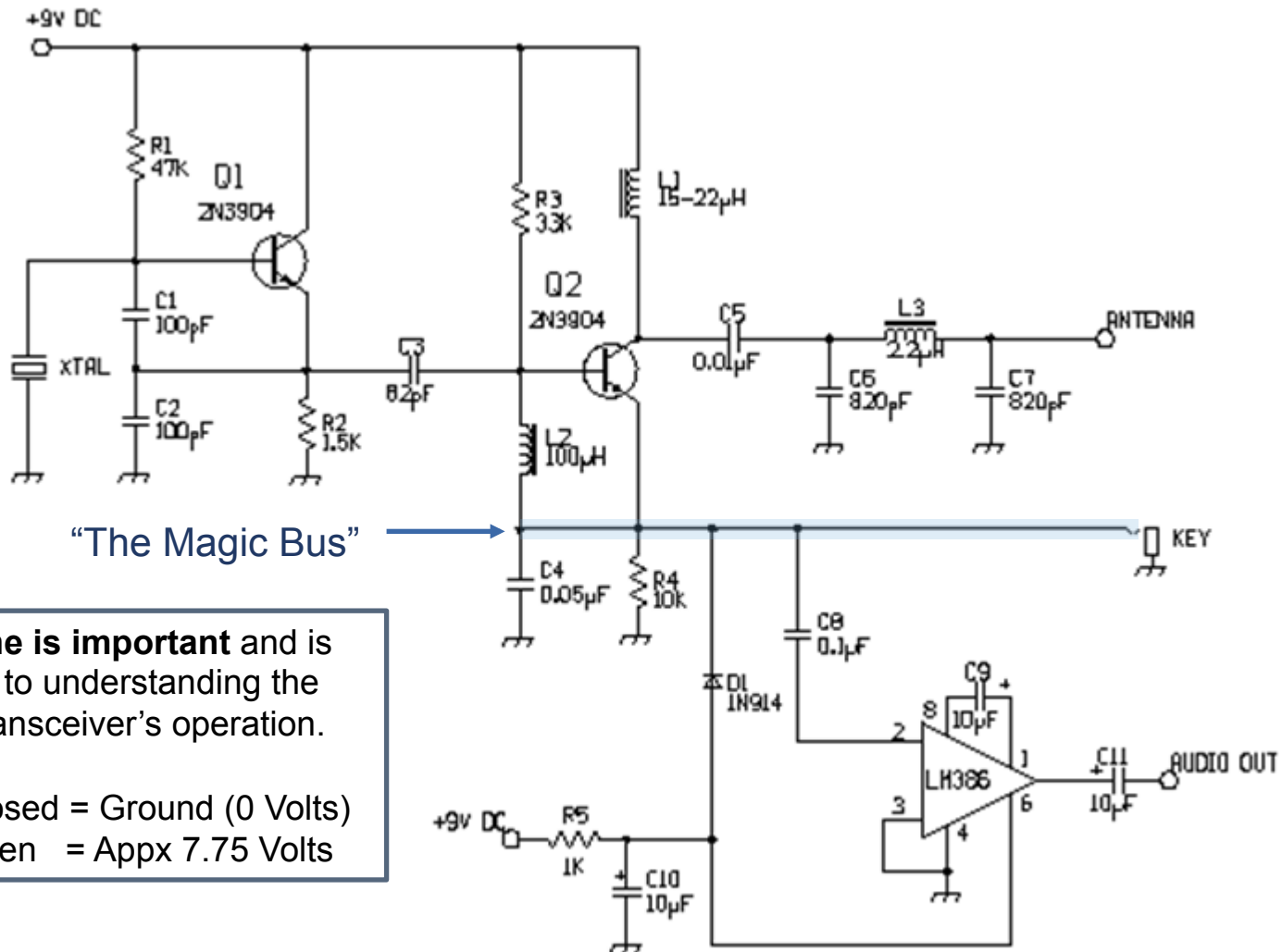


Original "Pixie 2"
c. 1995 NorCal QRP Club

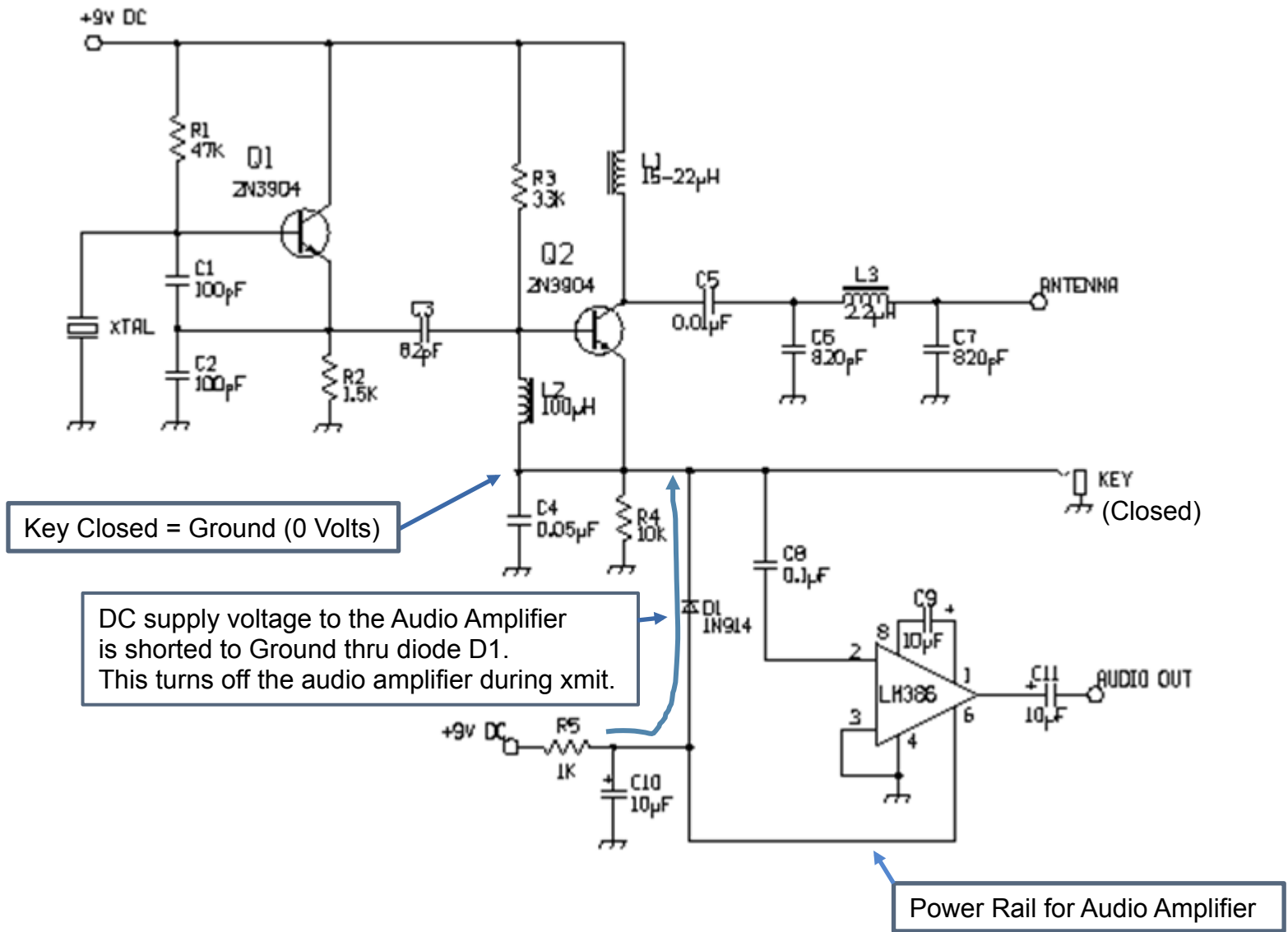
Based on "Micro-80" design
c. 1992 RV3GM

Loosely based on "Foxx" design
c. 1982 GM3OXX

The Pixie Transceiver



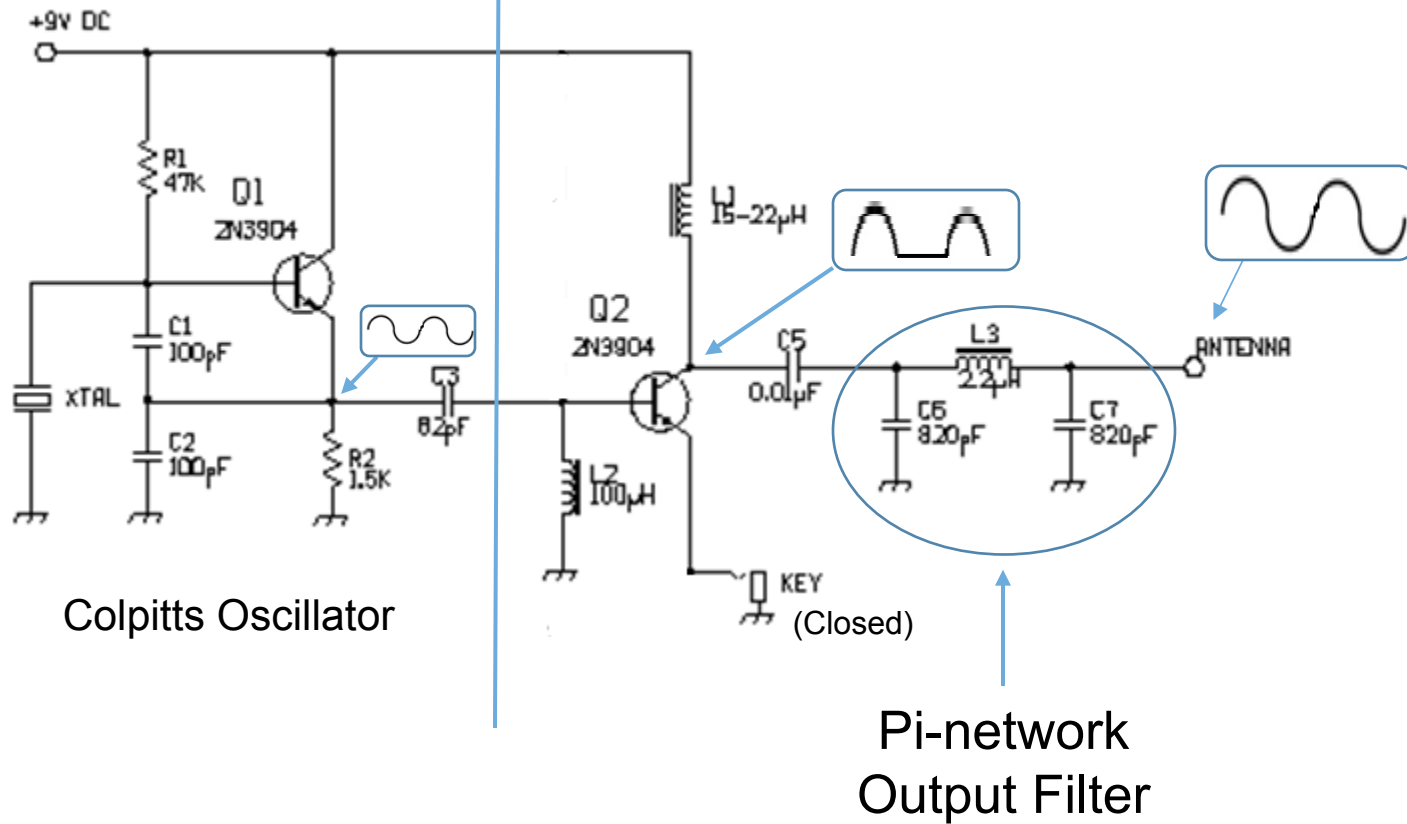
The Magic Bus – Key Closed



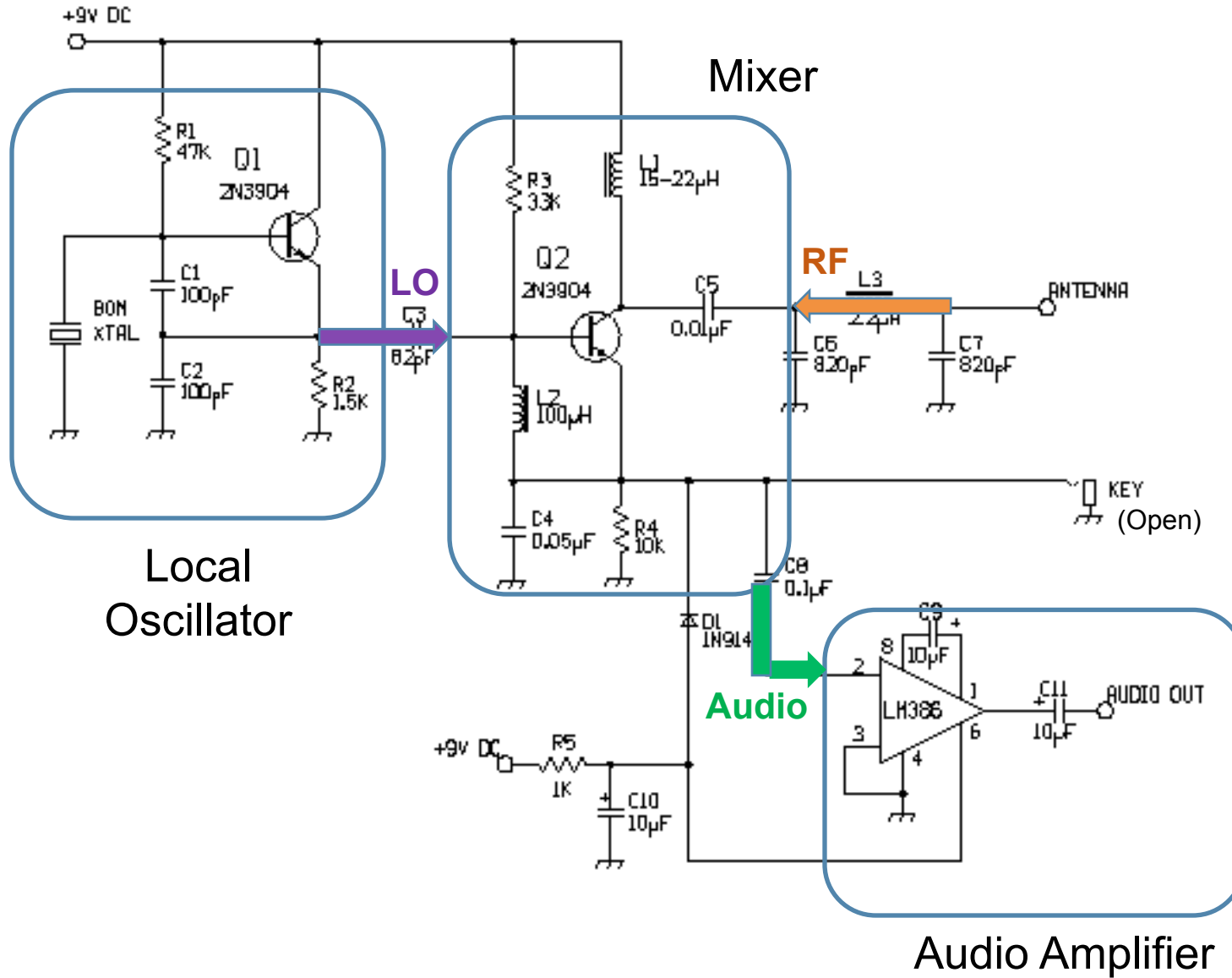
Pixie Key Closed - Transmitter

Master Oscillator

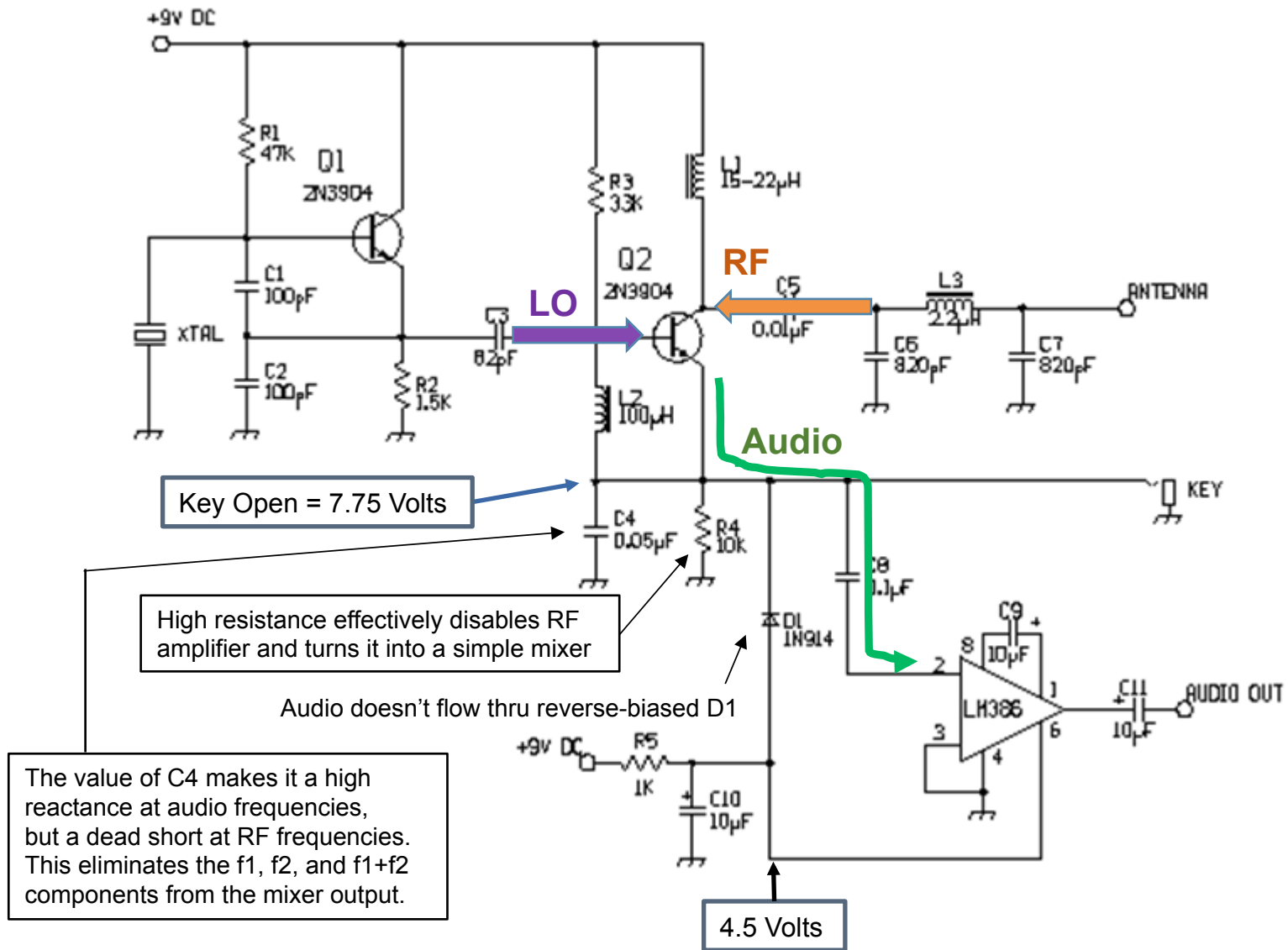
Power Amplifier



Pixie Key Open - Receiver

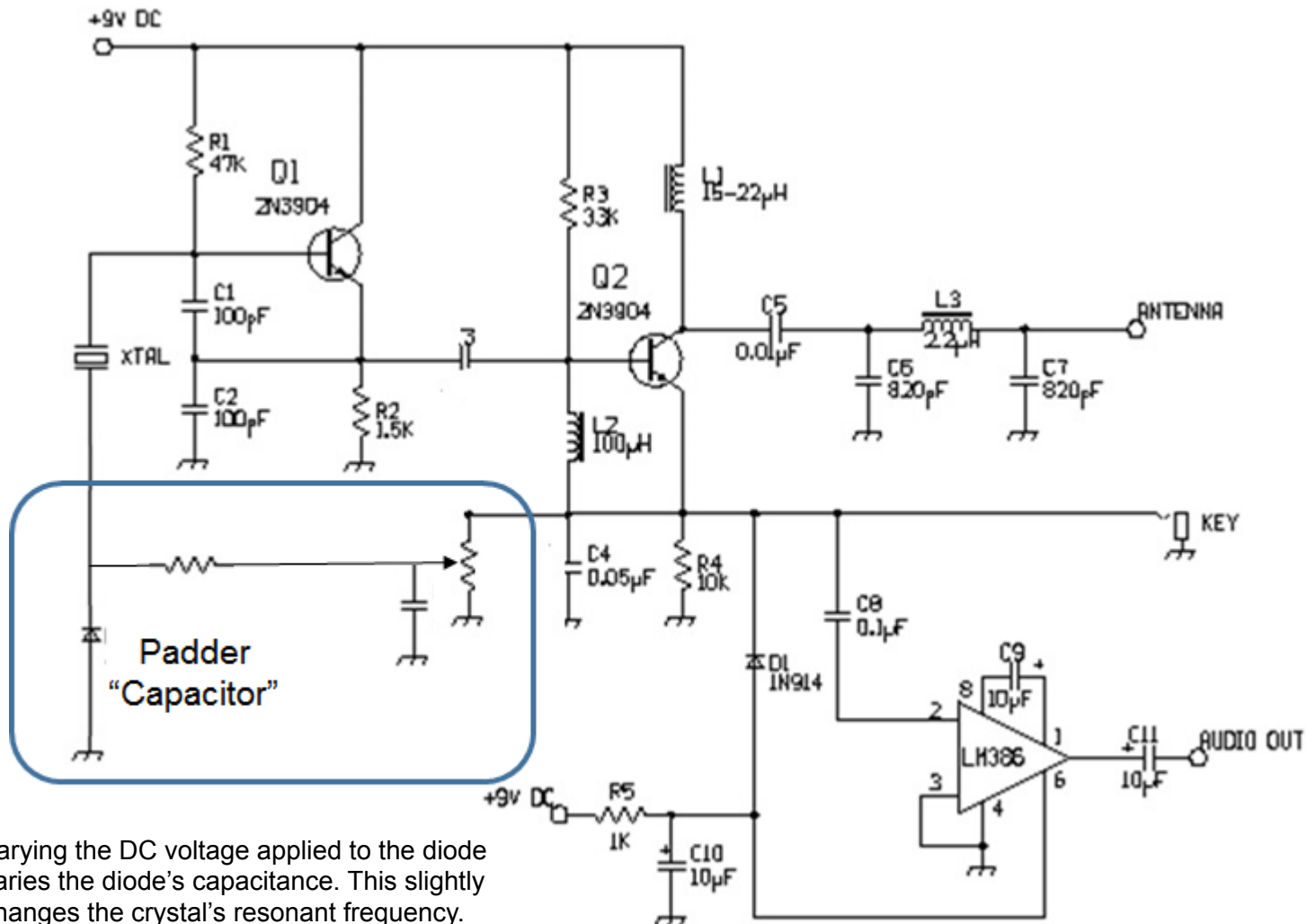


The Magic Bus – Key Open

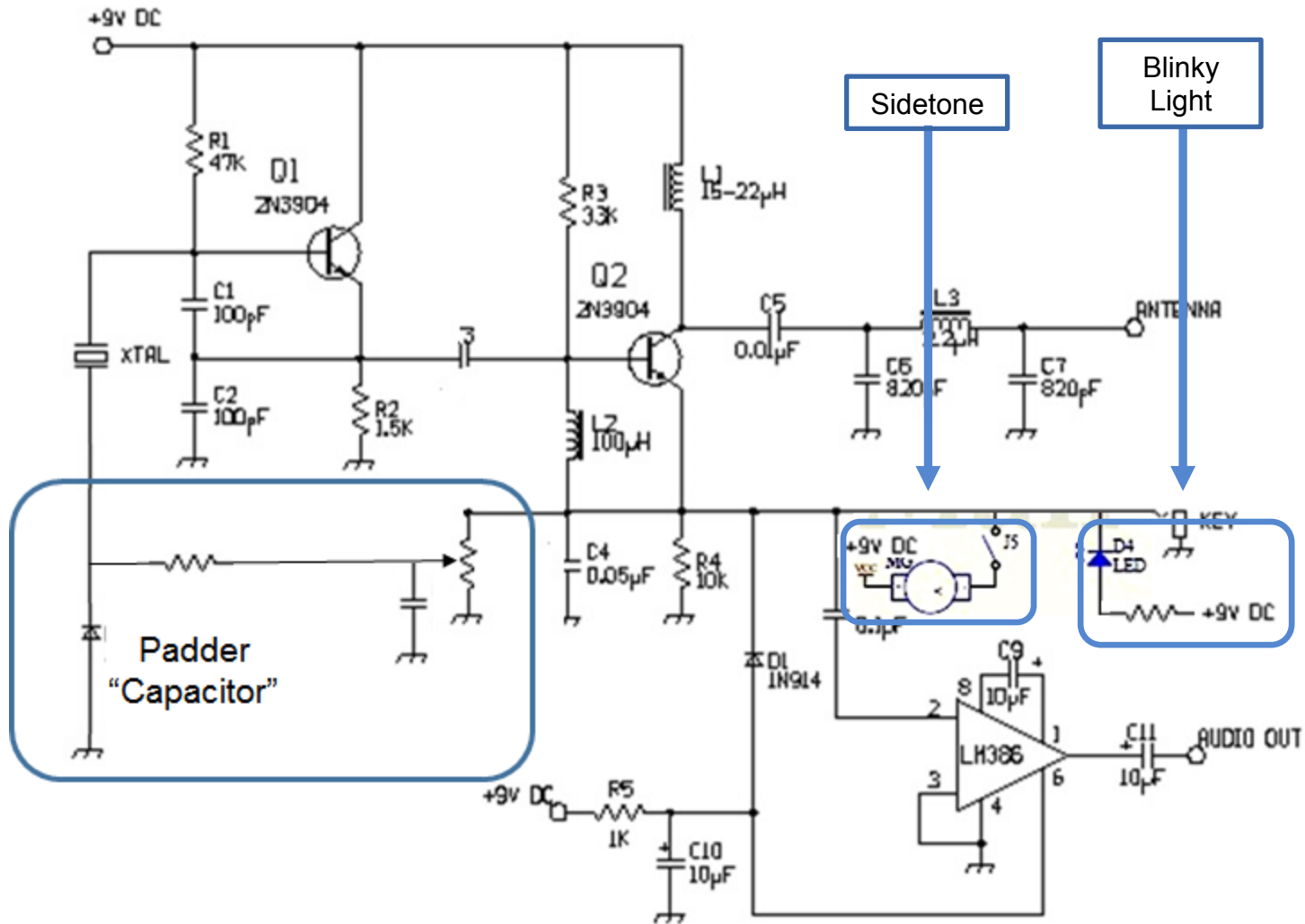


Super Pixie Additions

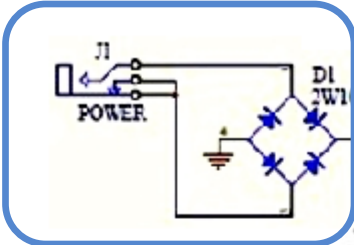
Adding a Bit of Frequency Mobility



Adding Sidetone and a Blinky Light



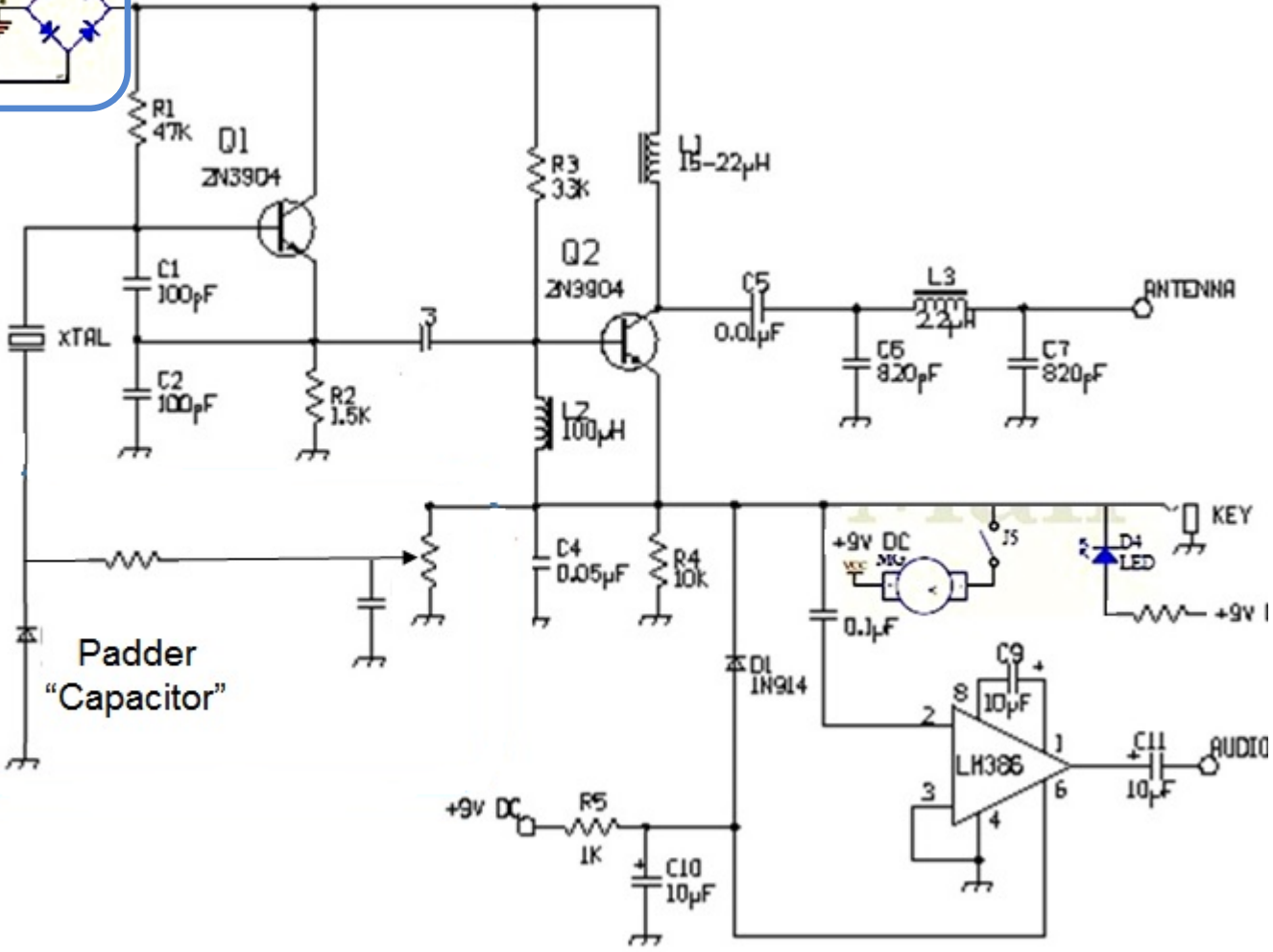
Goof-proofing the Power Input



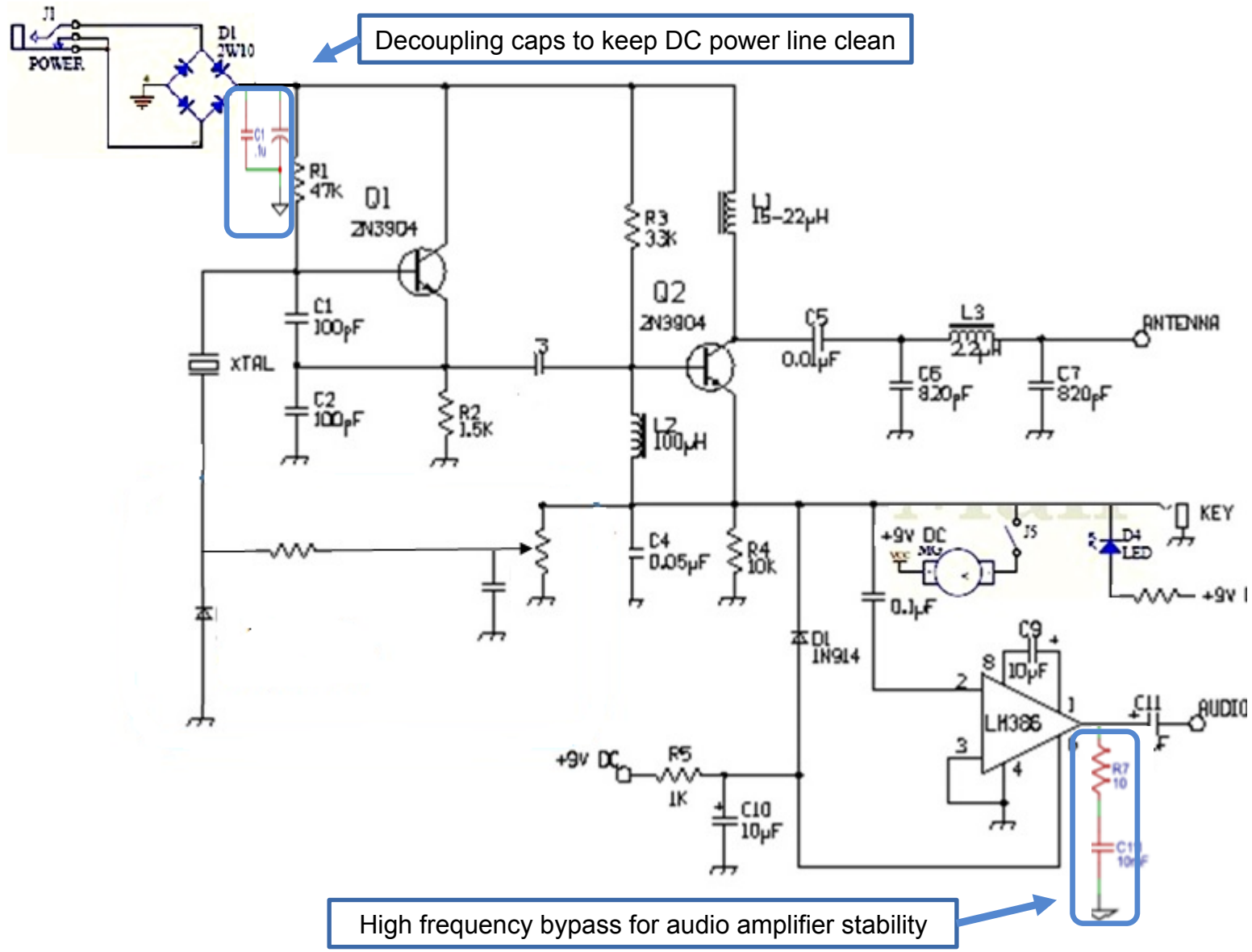
Diodes steer input voltage to the correct polarity – regardless of battery polarity.

But...
No free lunch.

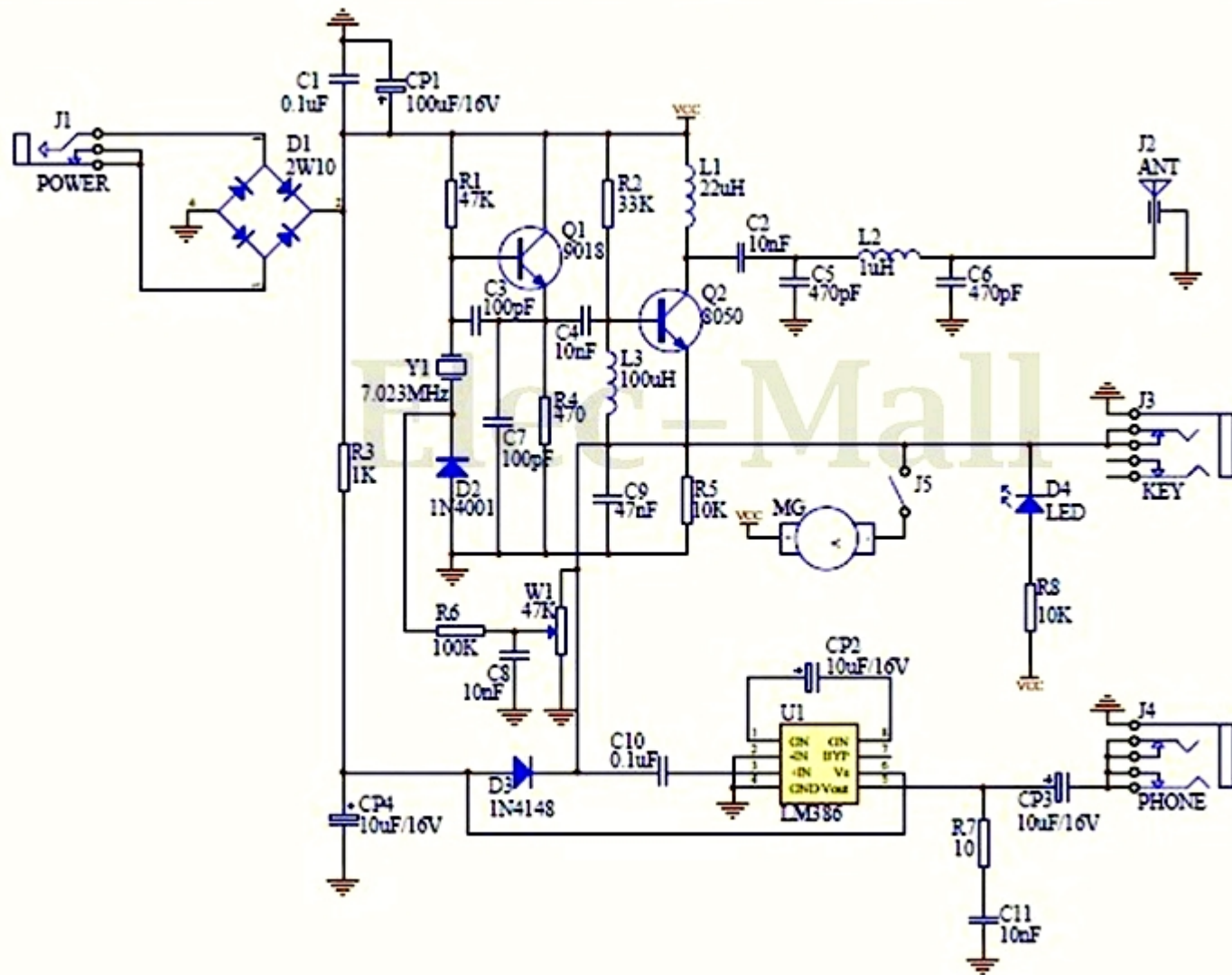
Each diode
drops about 0.7
Volts.



Complete Super Pixie Schematic



Super Pixie Schematic – Chinese Rendition



That's the Pixie.

Is it an elegant minimalist design...

Or a clever hack?

Either way, it's fun to build and a real thrill to make contacts on the air with a rig you built yourself.